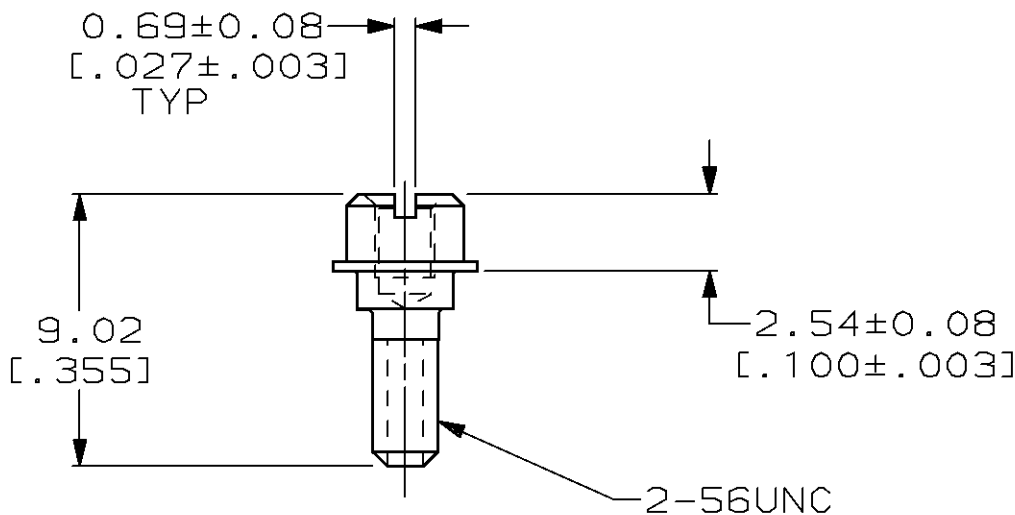
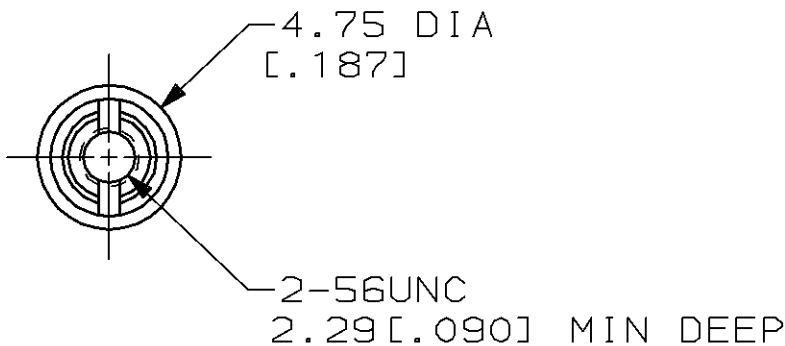


LOC	DIST	P	F	REVISIONS			
				LTR	DESCRIPTION	DATE	APPROVED
BD	95			0	RLSE NPR 4426 WAS 92-4639-2	10/23/92	-
				A	REV PER EC 0020-505-93	05/21/93	RM
				B	RLSE -3 PER EC 0020-1179-94	12/07/94	RM



THIS DRAWING IS UNPUBLISHED. BY AMP INCORPORATED. ALL INTERNATIONAL RIGHTS RESERVED. © COPYRIGHT 19

PACKAGING TYPE	QTY	PART NO
BULK	2	786585-3
INDIVIDUALLY	2	786585-2

DO NOT SCALE PRINT. UNLESS SPECIFIED. DIMENSIONS IN mm [IN] TOLERANCES ON: 2 PLC DEC ± 0.13 [.005] 3 PLC DEC ± - ANGLES ± -	DR 10/23/92 C.OBERMAN	<b>AMP</b> AMP Incorporated Harrisburg, PA 17105-3608
	CHK 10-25-92 W.LENKER	
MATERIAL  STAINLESS STEEL	APPD 10-27-92 T.SPANGLER	NAME SCREWLOCK KIT, FEMALE, UNASSEMBLED, AMPLIMITE™ .050 SERIES
	APPD 10-27-92 J.ASSINI	SIZE CAGE CODE DRAWING NO A 00779 C-786585
FINISH  -	PRODUCT SPEC -	SCALE SHEET 4:1 1 OF 1
	APPLICATION SPEC -	
WEIGHT -		